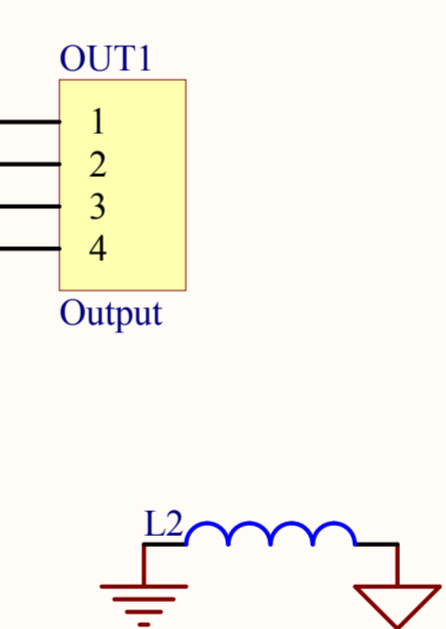
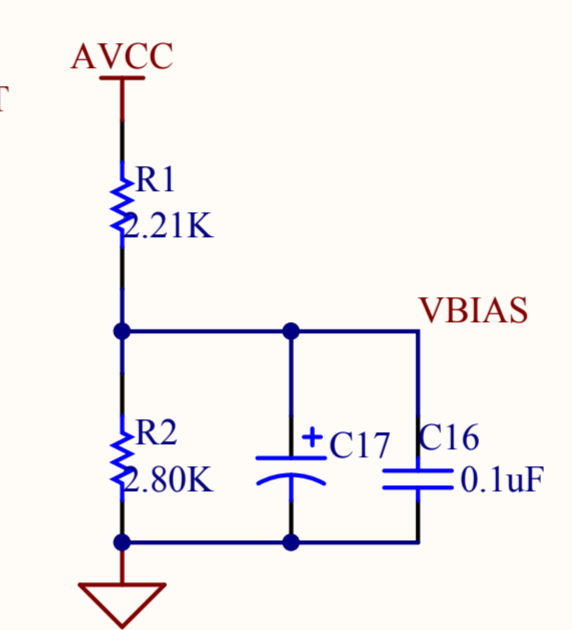
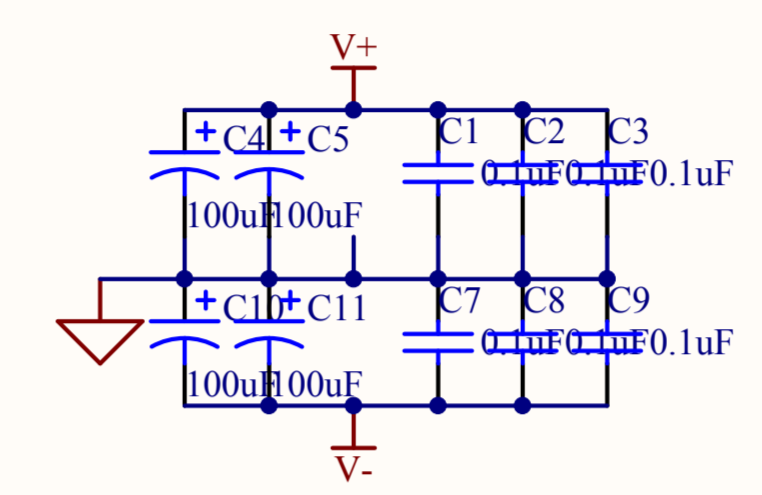
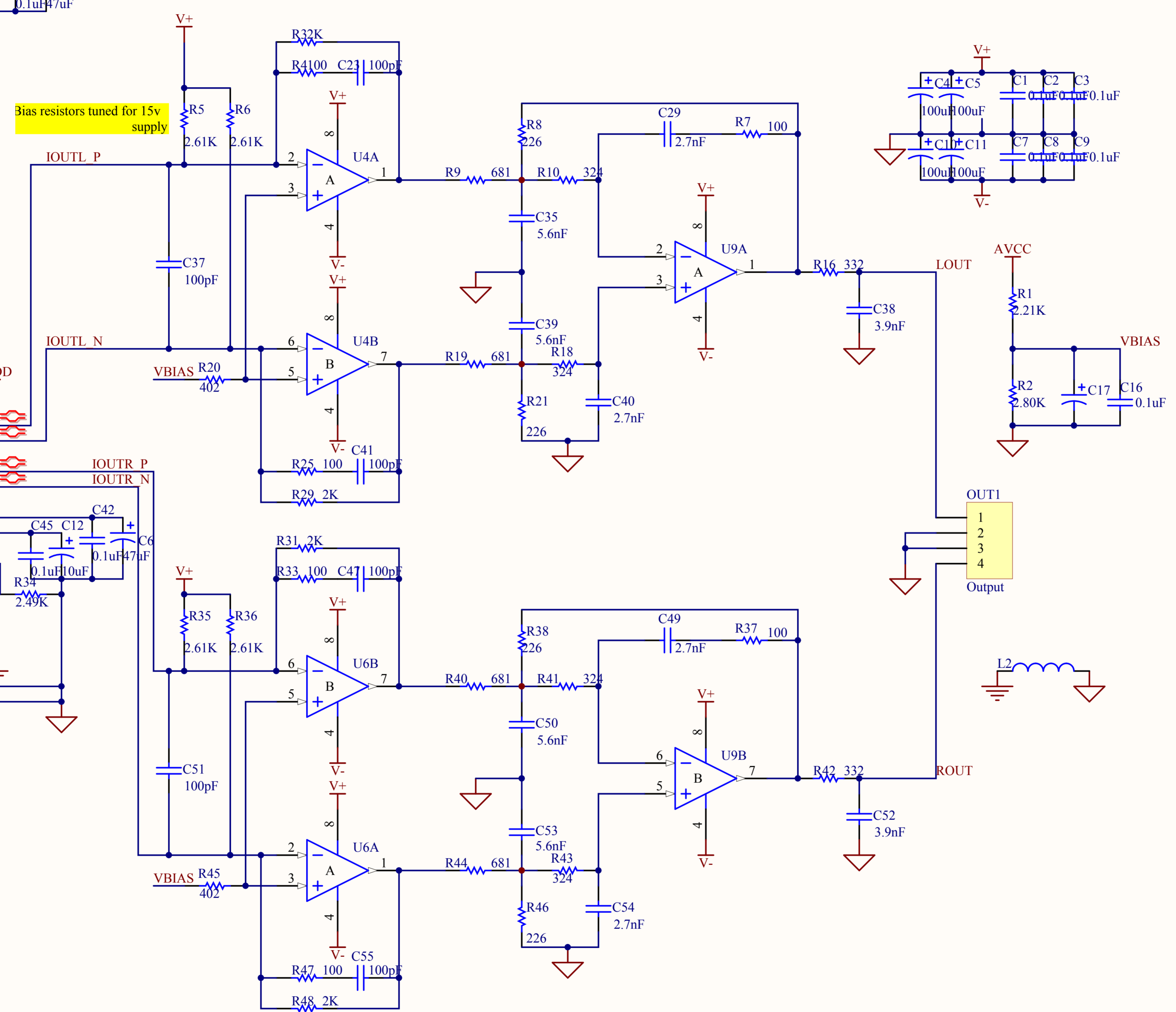


Bias resistors tuned for 15v supply



Title		
Size	Number	Revision
B		
Date:	2/3/2008	Sheet of
File:	y:\My Documents\...minidac.SchDoc	Drawn By: