

TOP TPA6120 Headamp

v1.1

C11

OUT

R10  
R8

R11

R12

R2

IN

U2

R5  
R3

R6

R7

C8

C9

VOL

C2

C12

C13

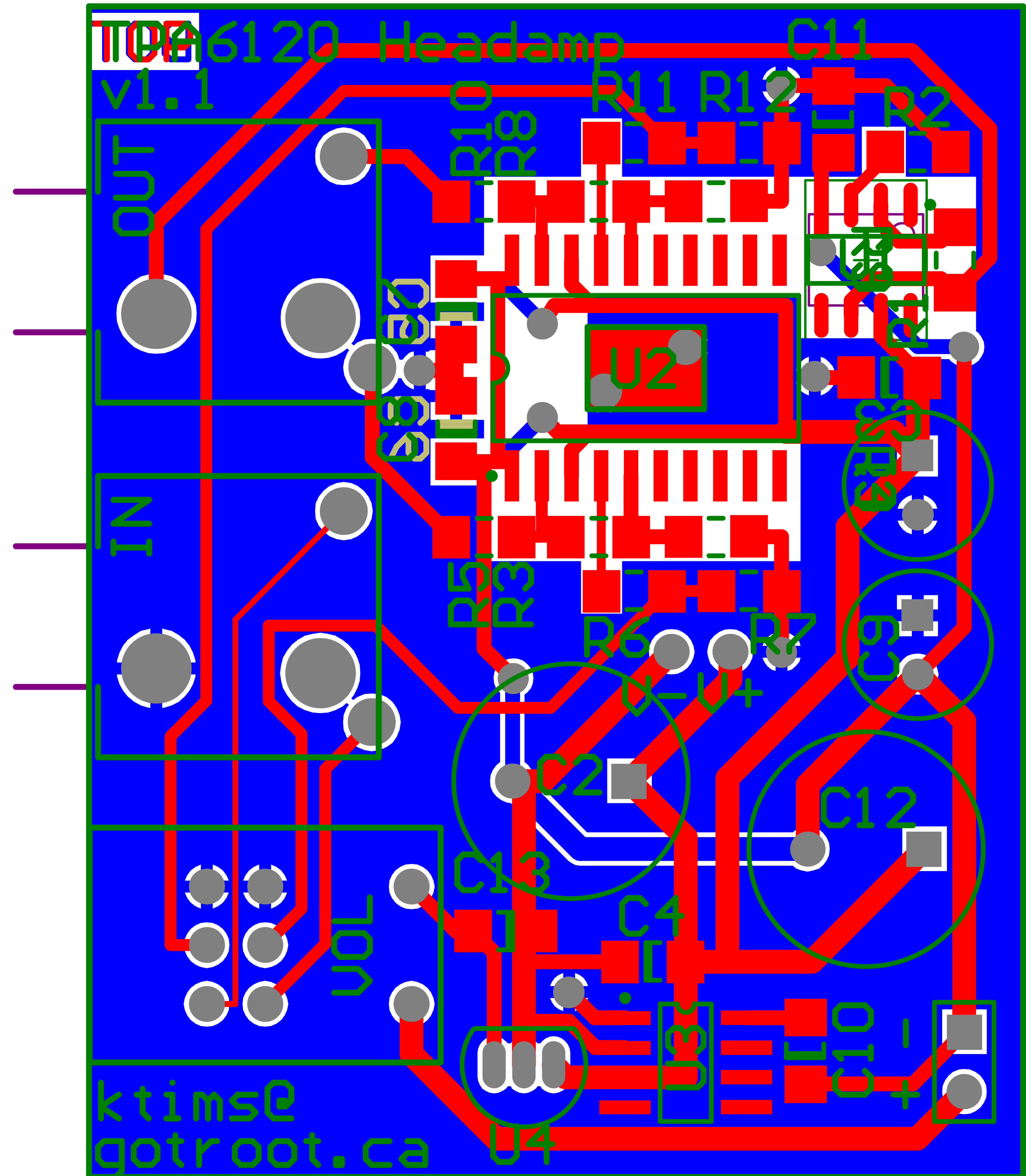
C4

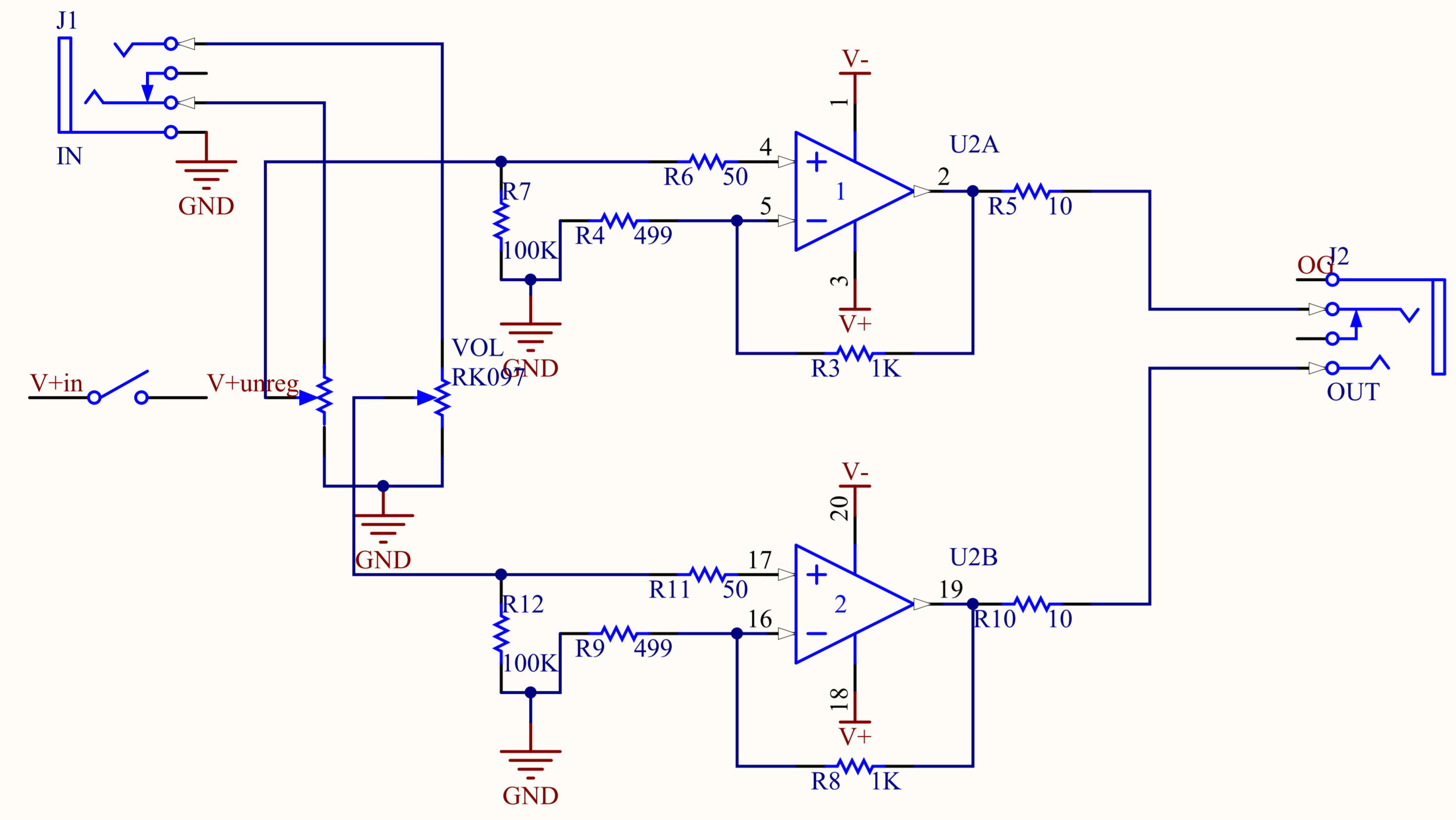
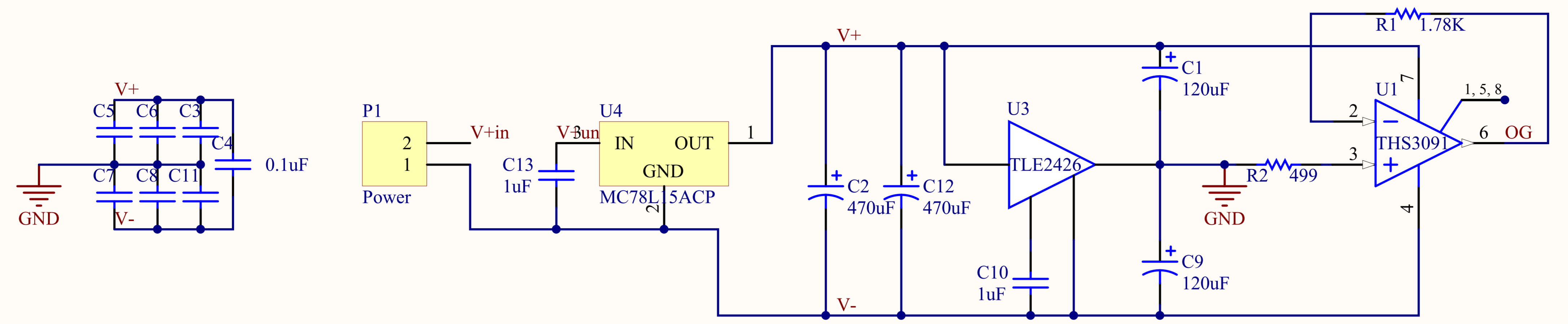
ktims@  
gotroot.ca

U4

U3

C10





Title		
Size	Number	Revision
A		
Date:	9/6/2007	Sheet of
File:	y:\My Documents\TPA6120 Amp.SchDoc	Drawn By: